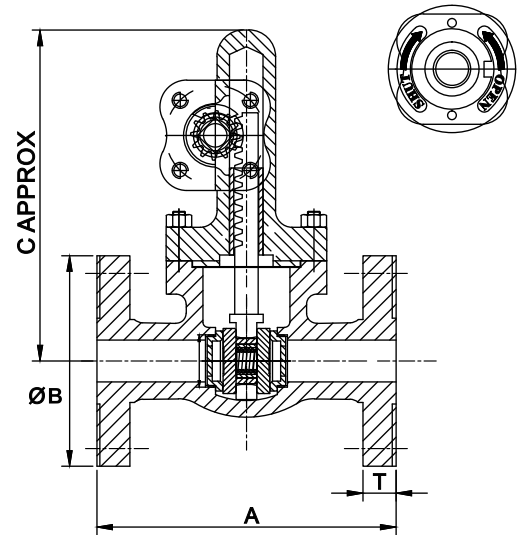
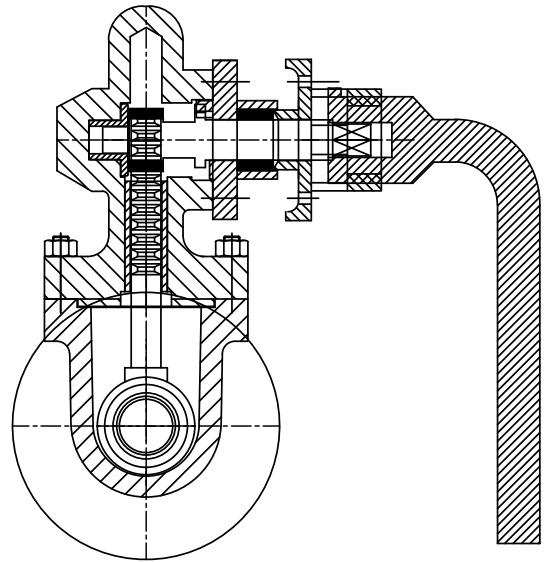


Cast Steel Blowdown Valve (Class 300)

SPECIFICATIONS

MATERIAL	CAST STEEL
END CONNECTIONS	FLANGED
END FLANGES	ANSI B - 16.5, B.S.10
FACE TO FACE	ANSI B - 16.10
WORKING PRESSURE	CLASS 300 - 52.02 Kg/sq.cm.
TESTING PRESSURE	CLASS 300 - 104.04 Kg/sq.cm. HYDRAULIC
MANUFACTURING STANDARDS	API 602
TESTING STANDARDS	BS 6755 PART - I
SIZE RANGE	1, 1 1/2 ,2 INCH

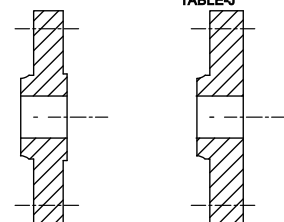


DIMENSION

SIZE	FLANGES	A	ØB	C	T	PCD
1	ANSI CLASS 300	203	124	198	17.5	88.9
1	TABLE - J	203	121	198	20	87.3
1 1/2	ANSI CLASS 300	267	155.5	245.5	20.5	114.3
1 1/2	TABLE - J	267	140	245.5	22.2	104.7
2	ANSI CLASS 300	305	165.1	289.5	22.23	127
2	TABLE - J	305	165.1	289.5	25.4	127

FLANGES AS PER ANSI B
16.5 CLASS300

FLANGES AS
PER BS 10
TABLE-J



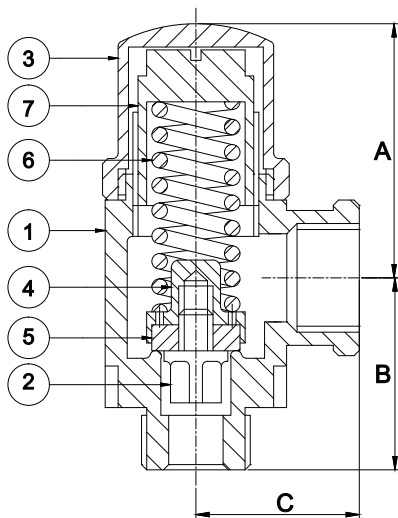
DESCRIPTION	MATERIAL
BODY	ASTM A 216 Gr. WCB
BONNET	ASTM A 216 Gr. WCB
RACK	SS 410
GLAND FLANGE	ASTM A 216 Gr. WCB
PINION	SS 410
SEAT	SS 410
DIAPHRAGM	SS 410
SPRING	SPRING STEEL
SEAT & DIAPHRAGM FACING	STELLITED
STUFFING BOX	ASTM A 216 Gr. WCB
GLAND PACKING	GRAPH NON ASB WITH SACRIFICIAL INHIBITOR & INCONEL WIRE REINFORCEMENT
GASKET	SPW S/S 304 WITH CAF

Relief Safety Valve

SPECIFICATIONS	
MATERIAL	BRONZE
END	CONNECTIONS SCREWED
MAX BLOW OFF PRESSURE	250 PSI (17.3 BAR GUAGE)
MIN BLOW OFF PRESSURE	5 PSI (0.34 BAR GUAGE)
SIZE RANGE	1/2 INCH

G.M. CONFIRMING TO IS 318 GR. 2 & BRASS
CONFIRMING TO IS 319

DIMENSION			
SIZE	A	B	C
1/2"	49	37	31.5



DESCRIPTION	MATERIAL
BODY	G.M.
STEAM	G.M.
CAP	G.M.
DIAPHRAGM	G.M.
TEFLON WASHER	PTFE
SPRING	SPRING STEEL
TENSION ADD.	G.M.



Installation Advice : Outlet from the safety valve should be arranged to discharge at a safe place where it is visible it should not cause damages or injury to persons.